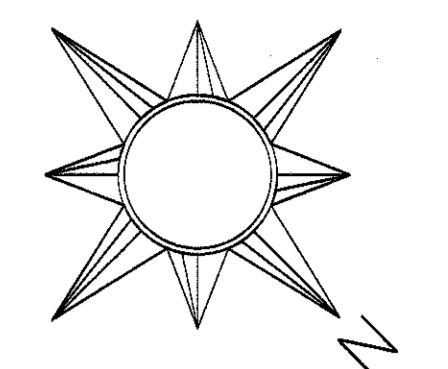
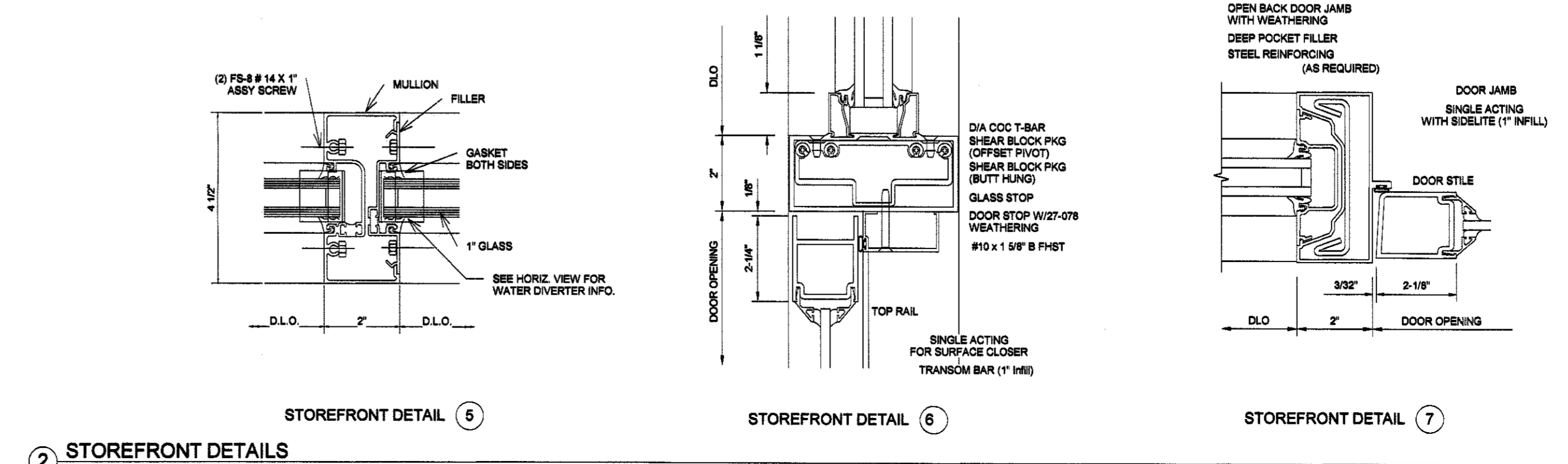
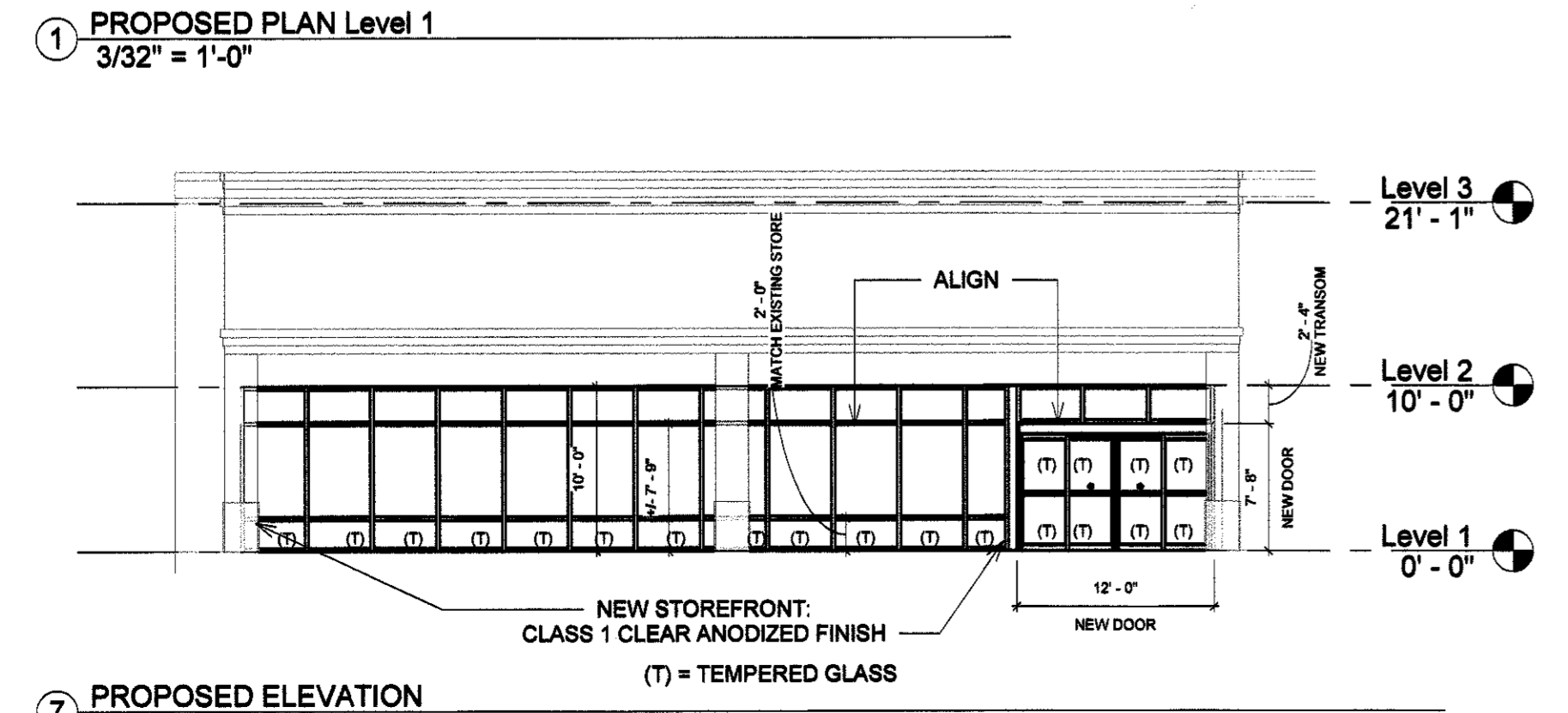
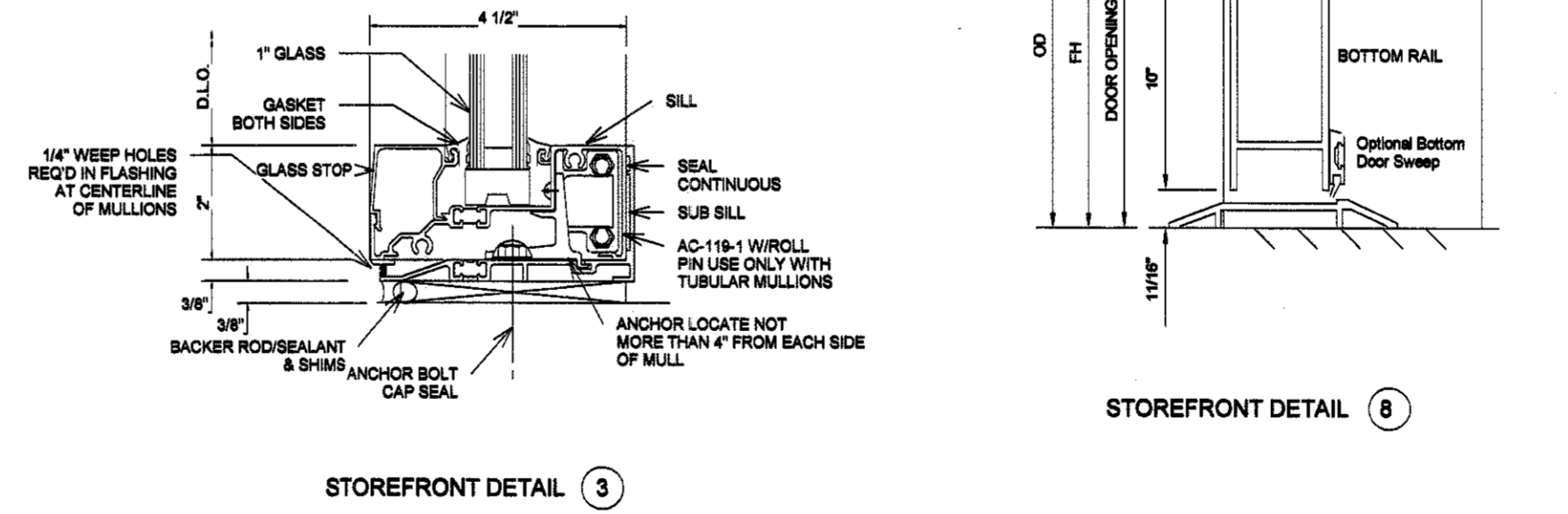


NOTES:
 1. MULLION DEPTH TO BE DETERMINED BY STOREFRONT MANUF. FOR HEIGHT SHOWN
 2. GLAZING CONTRACTOR TO FIELD VERIFY ALL R.O. PRIOR TO FABRICATING FRAMES
 3. DETAILS PROVIDED BY OTHERS. FOR INFORMATION PURPOSES ONLY. COORDINATE WITH MANUFACTURER FOR UP TO DATE INSTALLATION DETAILS & INSTRUCTIONS

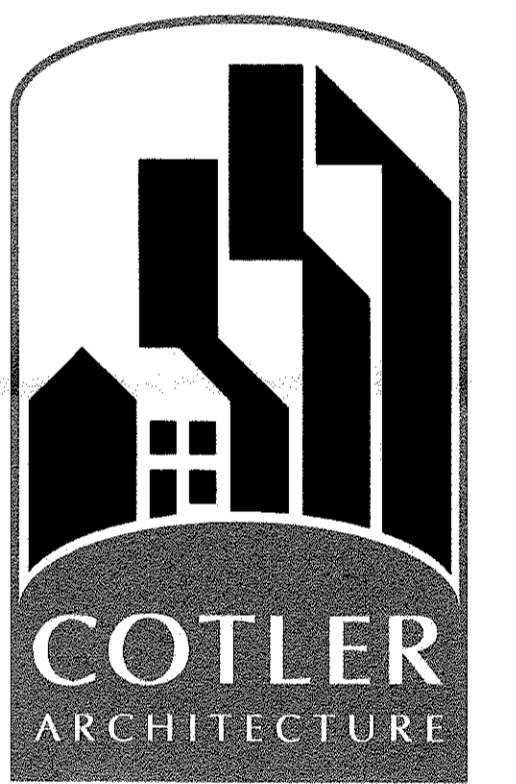
FINISH NOTES:
 1. OWNER TO SELECT ALL FINISHES
 2. PAINT ALL WALLS TO A LEVEL 4 FINISH
 3. POLISH & SEAL CONCRETE FLOOR
 4. PROVIDE RUBBER COVE BASE AT WALLS



PROJECT NORTH

PERMIT SET:

NOT FOR CONSTRUCTION
 AN IN-HOUSE QUALITY CONTROL AND INTERFACE HAS NOT BEEN COMPLETED. BUILDING DEPARTMENT REVISIONS HAVE NOT BEEN ADDED TO THESE CONSTRUCTION DRAWINGS. COTLER ARCHITECTURE ASSUMES NO RESPONSIBILITY FOR CONSTRUCTION BIDS OR CONSTRUCTION PERFORMED FROM THESE DRAWINGS



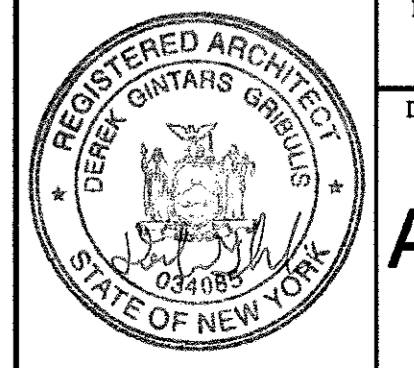
950 LOUDON RD LATHAM, NY 12110
 T: 518-783-1663 F: 518-786-6294
 WWW.COTLERARCHITECTURE.COM

COPYRIGHT 2020
 COTLER ARCHITECTURE
 Unauthorized alteration or addition to this document is a violation of Section 7209 Subdivision 2 of the New York State Education Law

PHASE 2
 EMPIRE WINE
 EXPANSION
 1440 Central Ave, Albany, NY 12205

PROPOSED PLAN

SCALE: As Indicated
 DATE: 12/18/2020
 DRAWN BY: ZH
 CHECKED BY: DG
 REVISIONS:



PROJECT NO:
1972

DRAWING NO:
A101

PLOTTED ON: 1/2/2021 3:30:58 PM
 Z:\1972 - Empire Wine\CURRENT DRAWINGS\1972 - EMPIRE WINE 20-1214 PHASE 2.rvt